

- 1 mount cap
- 2 main body
- 3 clamp
- 4 elastic gasket
- 5 allen screw M6x40mm
- 6 metal plugs M8

oval cap in natural anodization, stainless steel imitation, RAL 5m and 6m rods

rectangular cap in natural anodization, stainless steel in 5m, 6m and 6,5m rods RAL in 5m and 6m rods

oval end taps with and without notch in natural anodization, stainless steel 304 and RAL colours

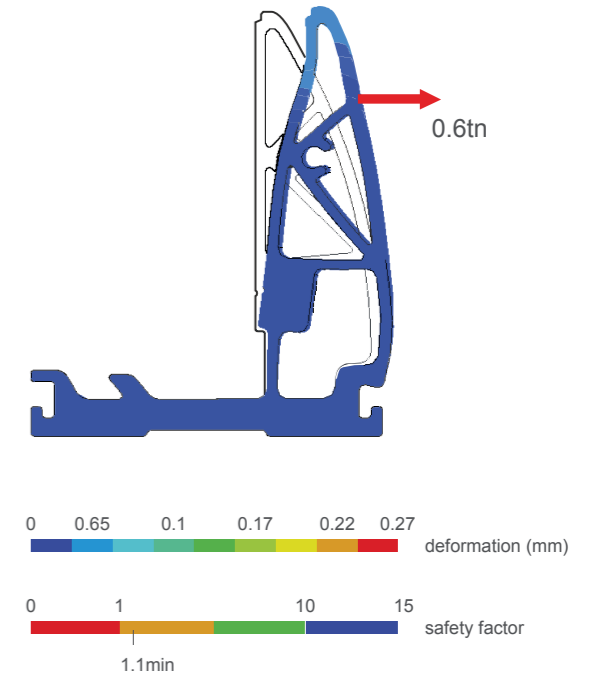
rectangular end taps with and without notch in natural anodization, stainless steel 304 and RAL colours



mount	plugs
L70 (70mm)	2
L150 (150mm)	2
L200 (200mm)	2
L300 (300mm)	3
L400 (400mm)	3



profile weight ~3.8kg/m
aluminum alloy EN AW 6060 T66, AlMgSi 0.5 F22

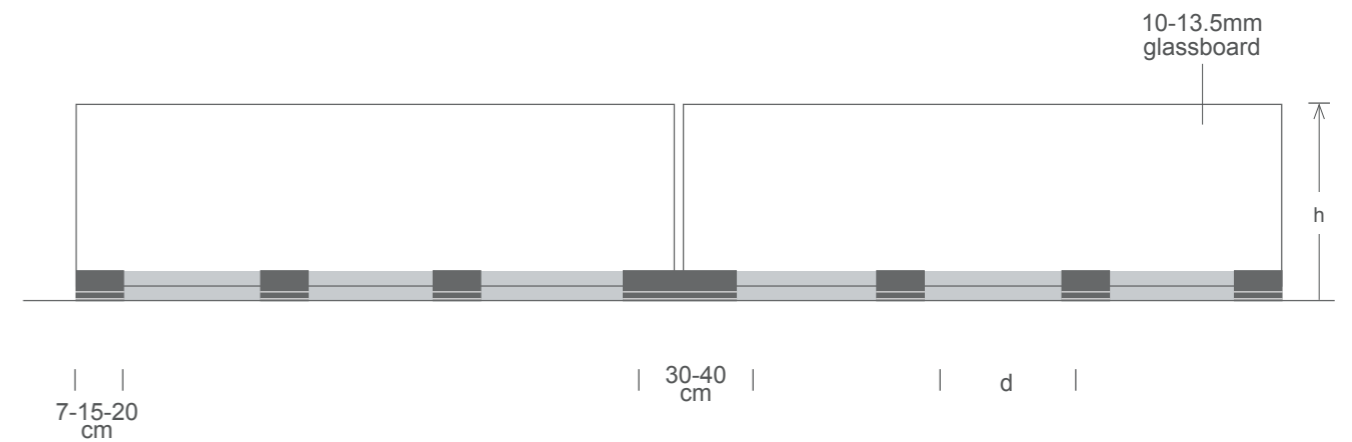


max allowable torque of allen screw tightening (cat 8.8)

M6	7.2Nm
M8	18Nm
M10	36Nm
M12	62Nm

Strain load on 50cm mount with 0.6ton (6,000Nt) vertically on glass-board holding surface.

recommended support:



h (cm)	60cm	55	50	45	40	35	30
d (cm)	25-30	30-35	35-40	40-45	45-50	50-60	60-75