



f40/50



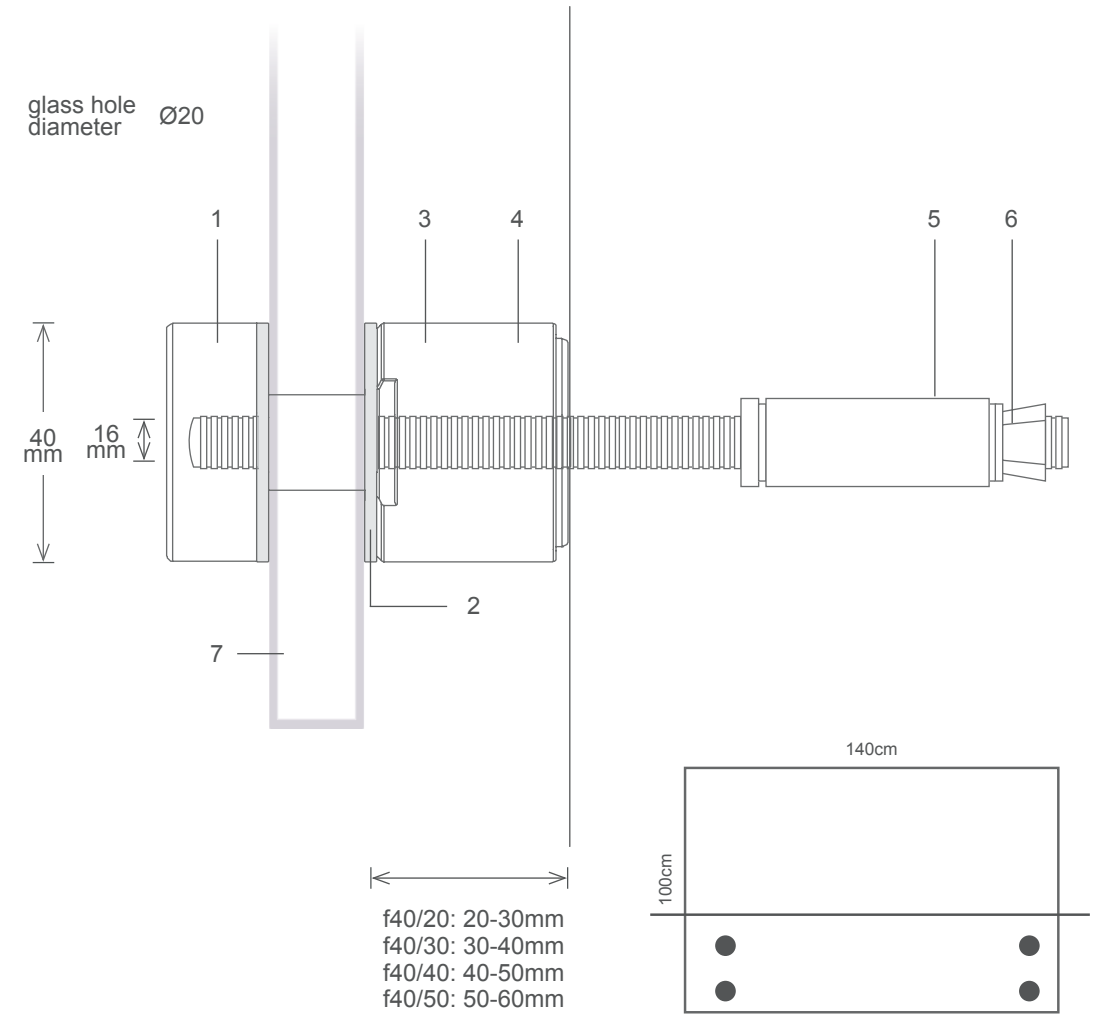
f40/40



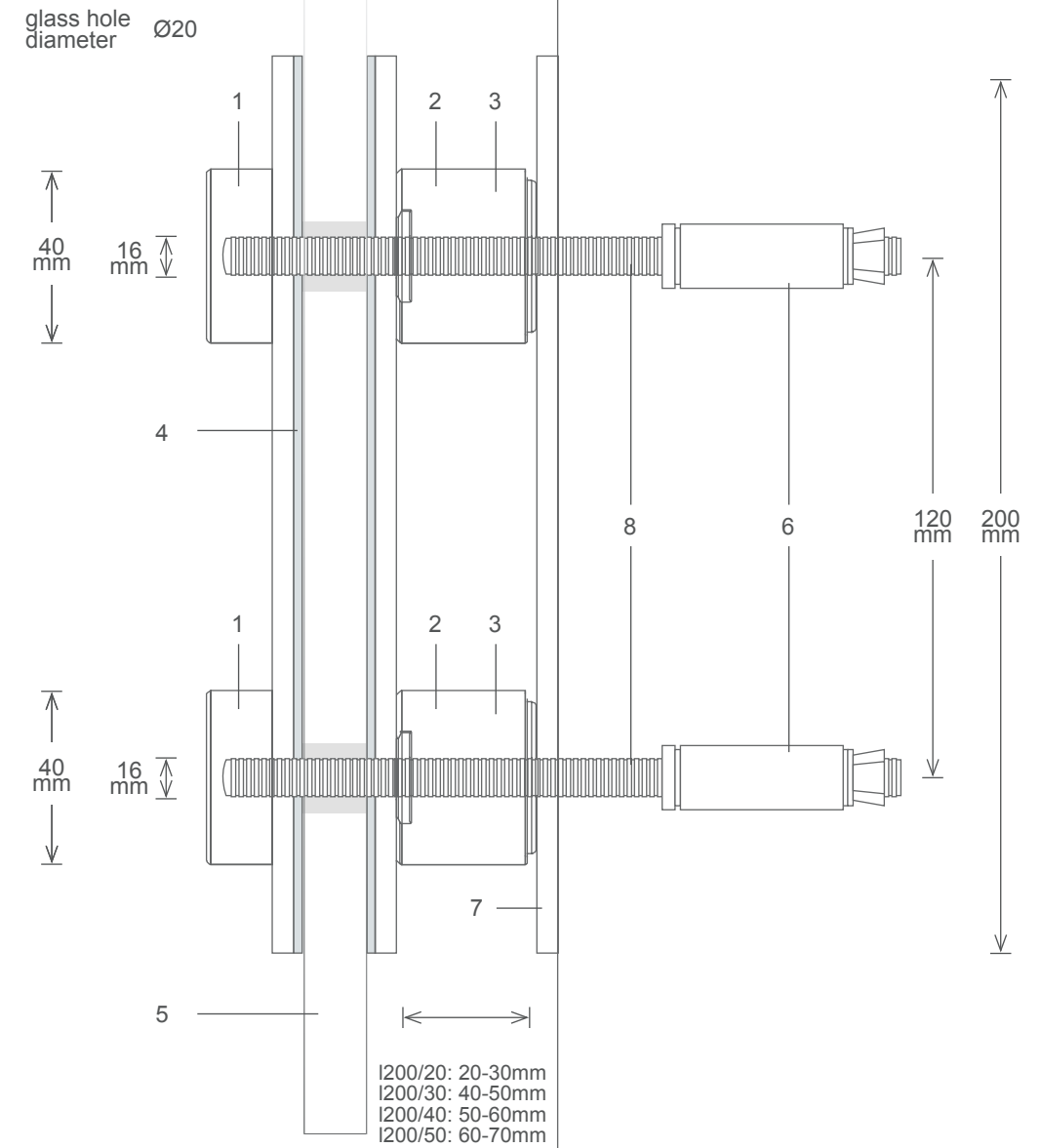
f40/30



f40/20



1	stainless steel cap	Ø40x15mm
2	transparent elastic pads	1mm
3	outer spacer body	f40/20: 20-30mm f40/30: 30-40mm f40/40: 40-50mm f40/50: 50-60mm
4	inner spacer body	Ø35x15mm
5	metal plug	M10
6	stainless steel threaded rod	M10
7	laminated tempered glassboard	<22mm



1	stainless steel cap	Ø40x15mm
2	outer spacer body	<ul style="list-style-type: none"> — L200/20: 20-30mm — L200/30: 30-40mm — L200/40: 40-50mm — L200/50: 50-60mm
3	inner spacer body	Ø35x15mm
4	transparent elastic pads	1mm
5	laminated tempered glassboard	<30mm
6	metal plug	M10
7	stainless steel pressure plate	5mm x 3 items
8	stainless steel threaded rod	M10

